

Filter: P5K02

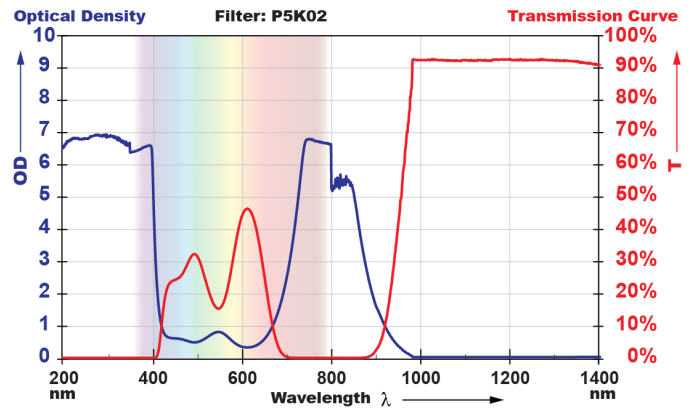
Color: Pink
Material: Acrylic
VLT: 8%



Laser enclosure provides safe viewing conditions from outside the nominal hazard zone. Two access points for easy laser operation and demonstration.

Optical Density (OD):

OD 4+ @ 760 - 820 nm



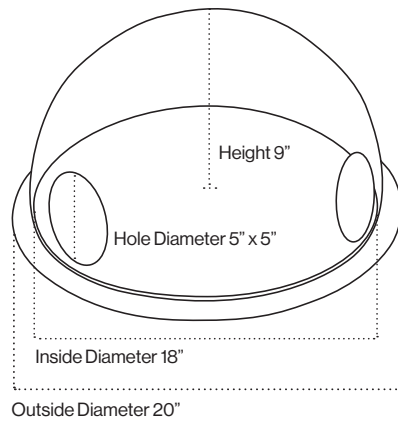
Visual interpretation of data. Please refer to the OD specifications for the actual protection level.

Dome Specifications

Part Number

000.P5K02.5DME

Custom domes available.
 Contact us with your requirements..



Authorized Laservision Signature

Date