

Filter: P5P01

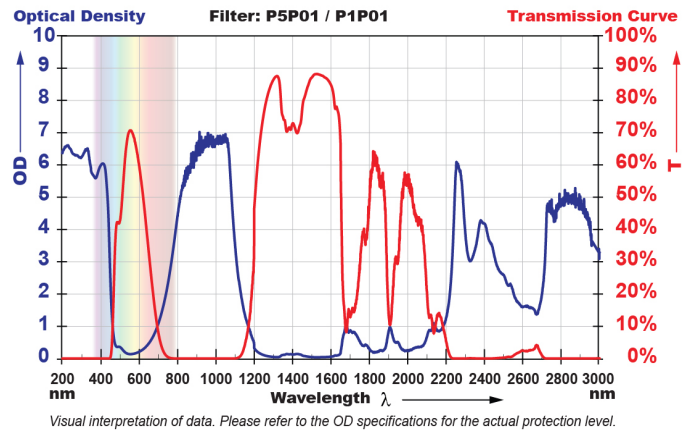
Color: Light Green
Material: Acrylic
VLT: 65%



Laser enclosure provides safe viewing conditions from outside the nominal hazard zone. Two access points for easy laser operation and demonstration.

Optical Density (OD):

OD 3+ @ 900 - 950 nm
 OD 4+ @ 950 - 975 nm
 OD 5+ @ 975 - 1020 nm
 OD 4+ @ 1020 - 1030 nm
 OD 3+ @ 1030 - 1060 nm

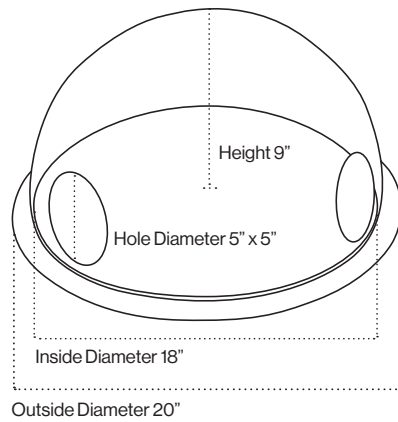


Dome Specifications

Part Number

000.P5P01.5DME

Custom domes available.
 Contact us with your requirements..



Authorized Laservision Signature

Date