

## Portable Welding Booth

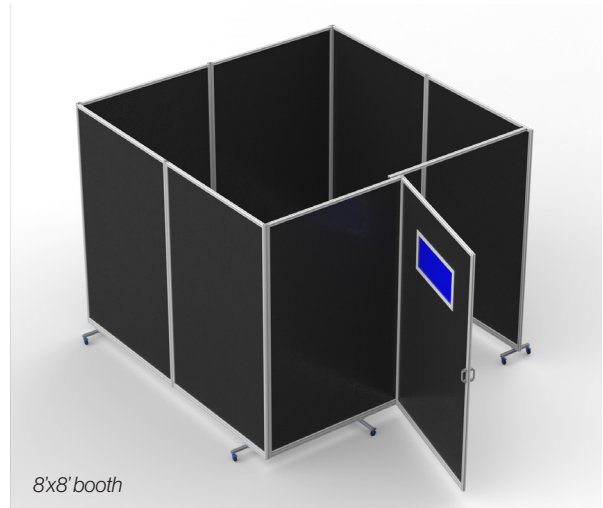
### Feature

- Swinging door
- Viewing window
- Pre-assembled panels for easy onsite installation
- Easy to move and shape
- Foldable, for ease of storage

### Add on options:

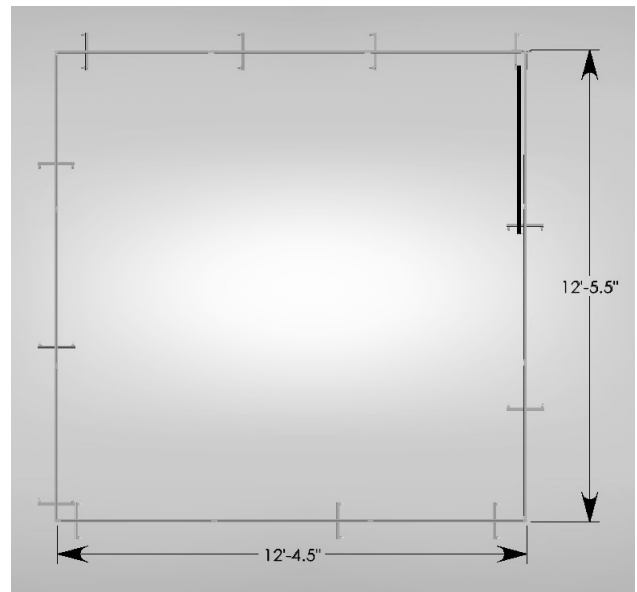
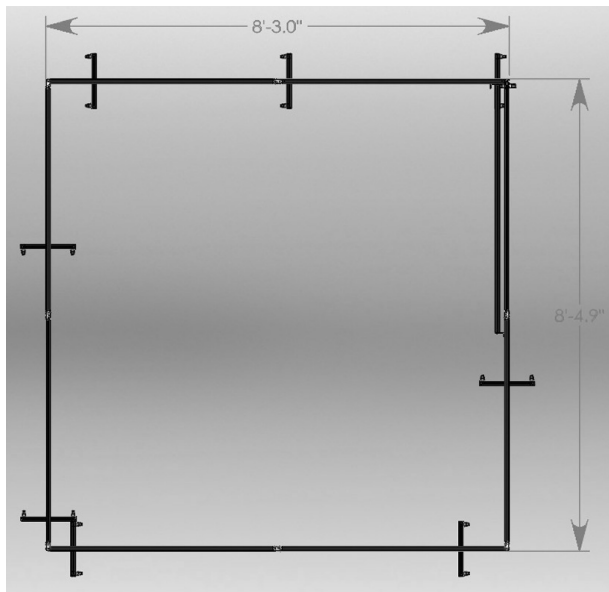
- Extra window(s)
- Interlock switch
- Double door kit

Part Numbers	Size
BFS.M5P06.8x8	99" x 100.9"
BFS.M5P06.10x10	148.5" x 149.5"



M5P06 panel material	
<b>Color</b>	Black
<b>Weight</b>	.78 lb./ft <sup>2</sup>
<b>Thickness</b>	0.232 in. ± 1/32 in.
<b>Description</b>	Two layers of aluminum bonded with corrugated polyallomer core
<b>Features</b>	Maintenance-free, strong, lightweight. Doesn't swell, chip, corrode, flake, or peel

Irradiance Specifications	
Wavelength	Maximum Irradiance*
315 - 1050 nm	1,000 W/cm <sup>2</sup>
>1050 - 1400 nm	2,500 W/cm <sup>2</sup>
10600 nm	10,000 W/cm <sup>2</sup>
*Tested for 100 seconds at a 1mm beam diameter	



*Shirley Gibbons*

Shirley Gibbons (Oct 31, 2023 06:38 CDT)

Authorized Laservision Signature